



**SmartGen**  
ideas for power

**HT40M**

**WATER ENGINE HEATER**

**USER MANUAL**



**SMARTGEN (ZHENGZHOU) TECHNOLOGY CO., LTD.**

### 3 TECHNICAL PARAMETERS

Table 2 – HT40M Specification

Model	HT40M
Rated Power	4000W
Rated Voltage	AC 190V~AC277V
Rated Current	16.7A
Engine Displacement (L)	(13~25)L
Thermostat Range	HT40M: Off: (40±3)°C    Reset: (25±5)°C
	HT40M-1: Off: (50±3)°C    Reset: (35±5)°C
	HT40M-2: Off: (60±3)°C    Reset: (45±5)°C
Overheating Thermostat Range	Off: (110±4)°C    Reset: manual reset (temperature bellows 95 °C)
Insulating Resistance	≥50MΩ
Electrical Strength	AC 1.5kV 1min, ≤2.5mA
Inlet/Outlet Size	3/4"(φ19mm)
Max. Water Pressure	0.5MPa
Protection Level	IP54
Vibration Resistance	(5~8)Hz;                      Amplitude±7.5mm;    Triaxial
	(8~500)Hz;                      a=2g;                      Triaxial
Shock Resistance	Half-sine Wave;    a <sub>peak</sub> =50g;                      Triaxial
Working Temperature	-40°C~+70 °C
Storage Temperature	-40 °C~+70 °C
Case Dimensions	445mm×375mm×210mm
Weight	3.9kg

### 4 PANEL INDICATION

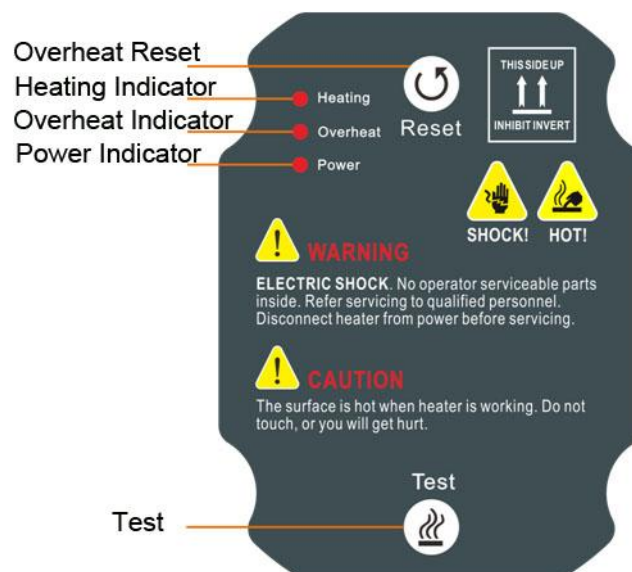


Figure 1 – Panel Indication

## 5 CONNECTIONS



Figure 2 – Wire Connection

Install the water-proof connection joint after knock on the knock-down hole which on the plastic shell. Pass the 4mm<sup>2</sup> power line through the thread hole of shell to connect to L, N, E terminals respectively.

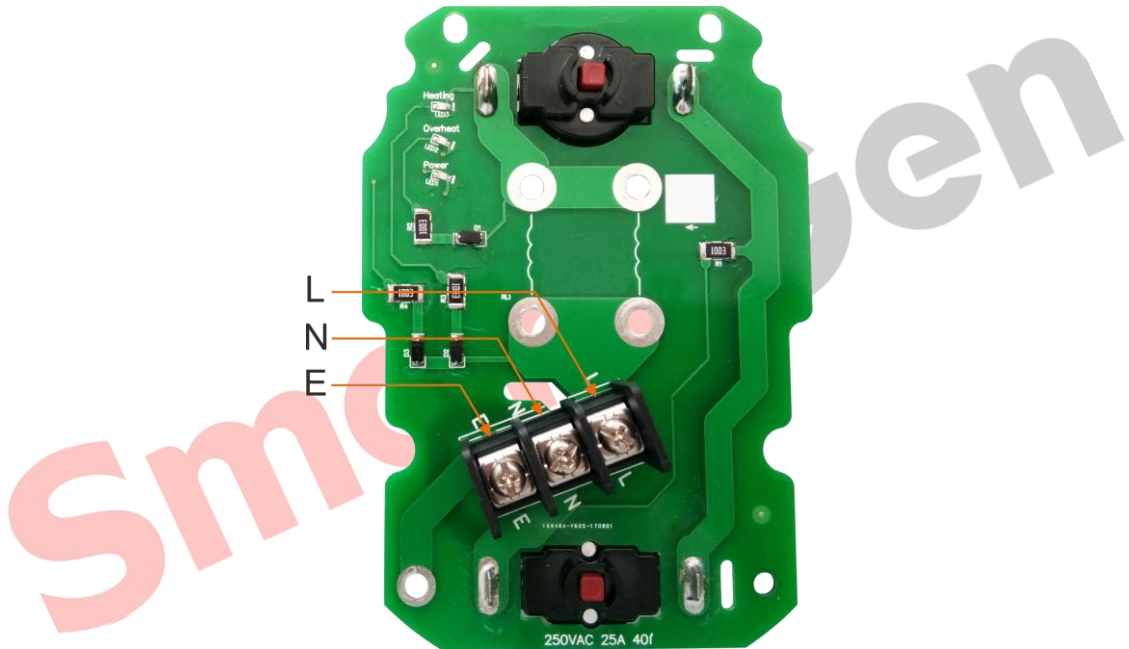


Figure 3 - Connection Position

## 6 INSTALLATION INSTRUCTION

Please install the heater vertically according to the diagram before use. Paying attention to direction of heater inlet and outlet, and ensure that the heater position is below the lowest water level of the engine and that all the air is exhausted out of the heater and it is topped off with coolant.

Operating diagram:

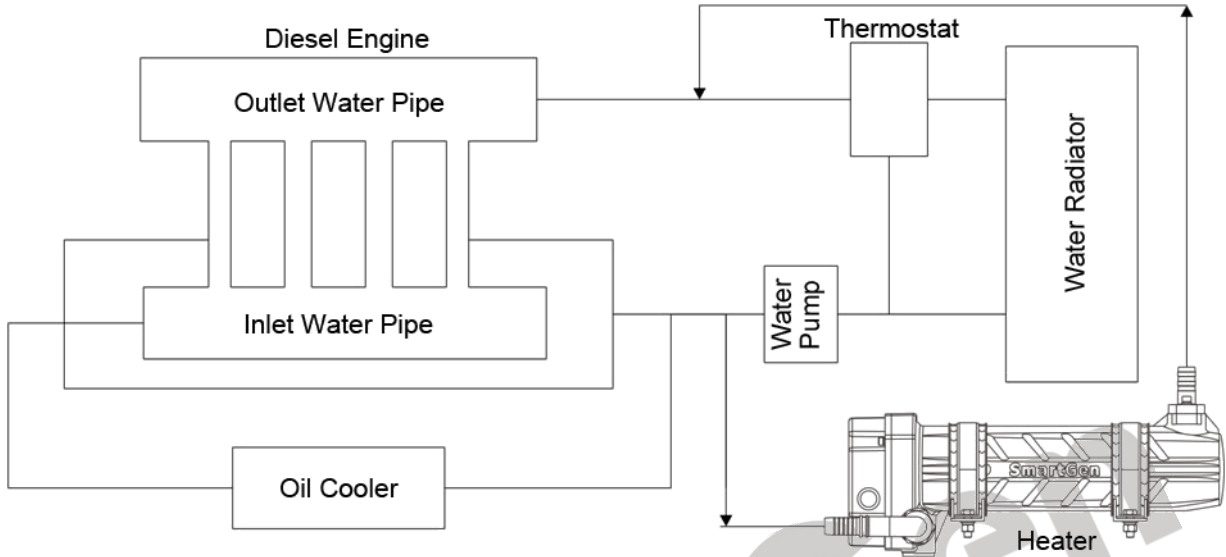


Figure 4 - Operation Schematic Diagram

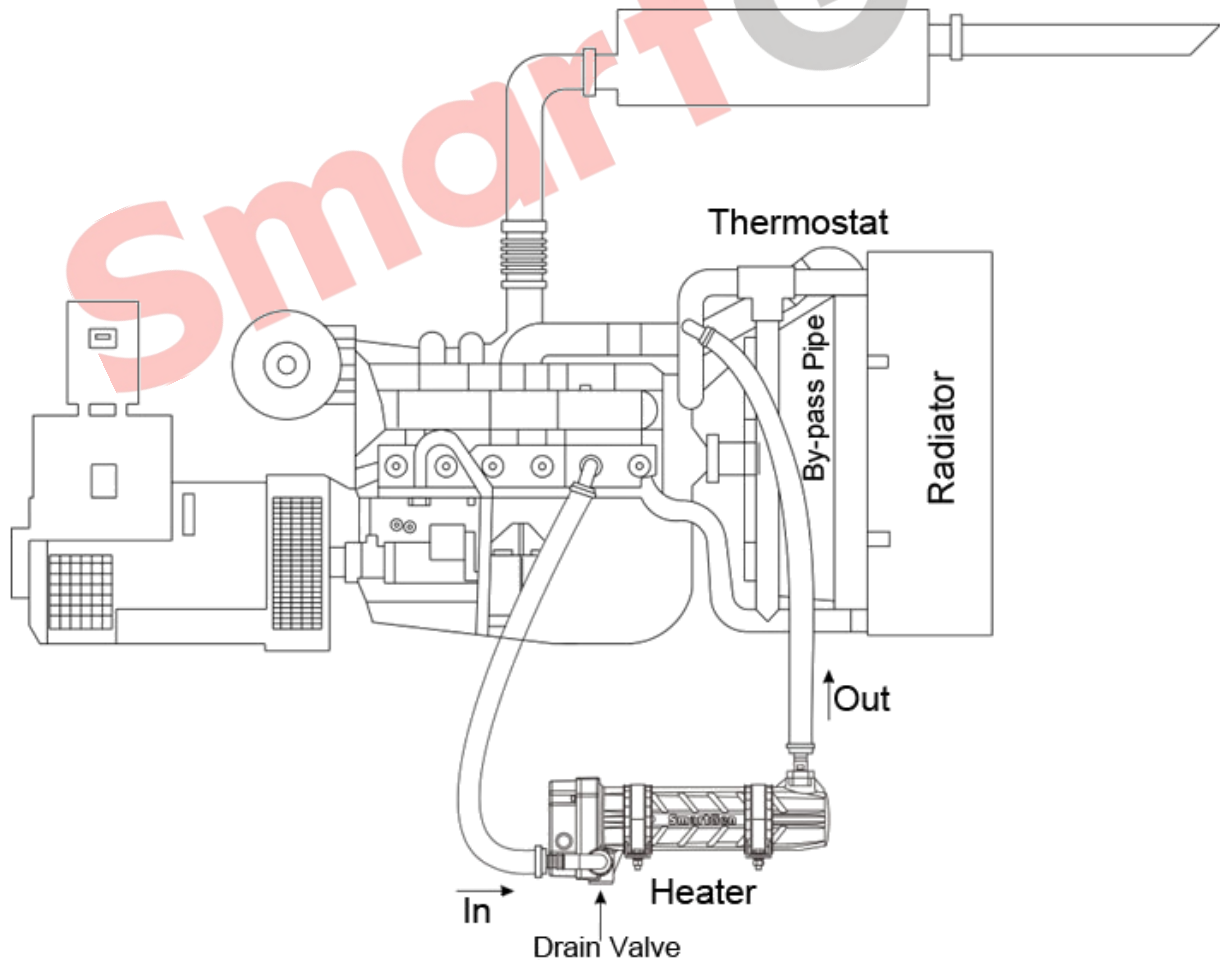


Figure 5 - Heater Position Diagram

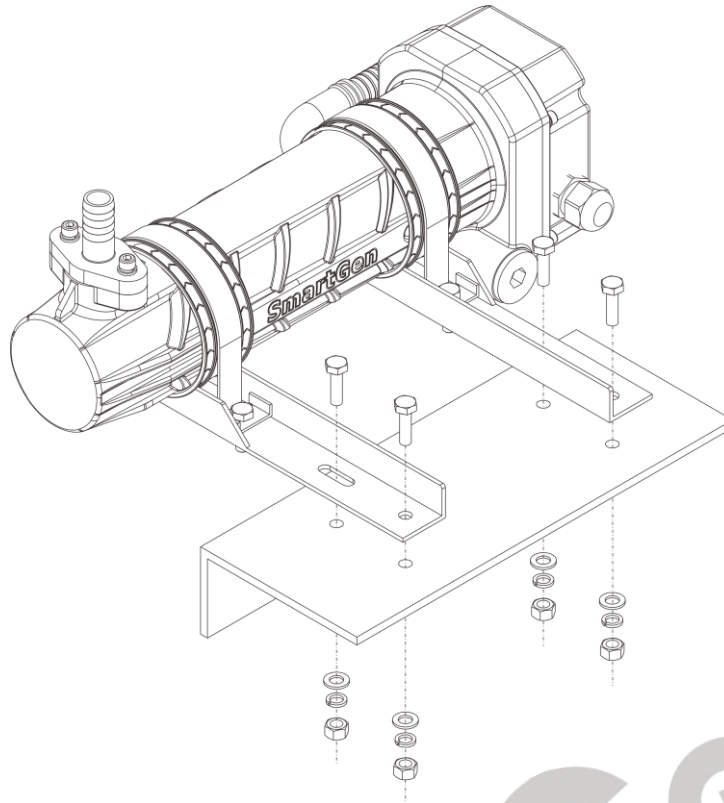


Figure 6 - Heater Installation Method

SmartGen

## 7 OPERATION

### 7.1 COMMISSIONING

If heater doesn't work and overheat indicator doesn't light up, users can force heater to work by pressing test button.

### 7.2 OVERHEAT PROTECTION RESET

When overheat alarm indicator lights up, heater will enter into overheat protection status and stop heating. If heater temperature falls below the reset temperature limit of overheat protection thermostat (95°C), users need to press reset button and heater enters into auto mode again.

## 8 CAUTION

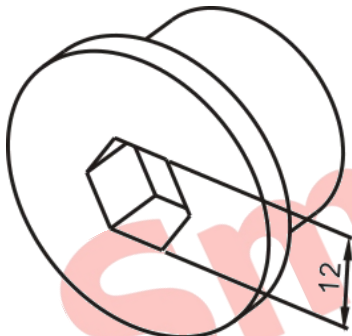
Before starting the machine, ensure that all the air is exhausted out of the heater and it is topped off with coolant. If water is used, please drain it off when generator is stopped to avoid internal corrosion. Otherwise, the remaining water freezes when temperature is lower than 0°C, which can damage the enclosure.

Corresponding antifreeze is strongly recommended.

Heat resisting power line is strongly recommended.

Earth line must be soundly connected to earth.

Drain valve: Can be opened or closed using hexagonal tools.



## 9 CASE AND INSTALLATION DIMENSIONS

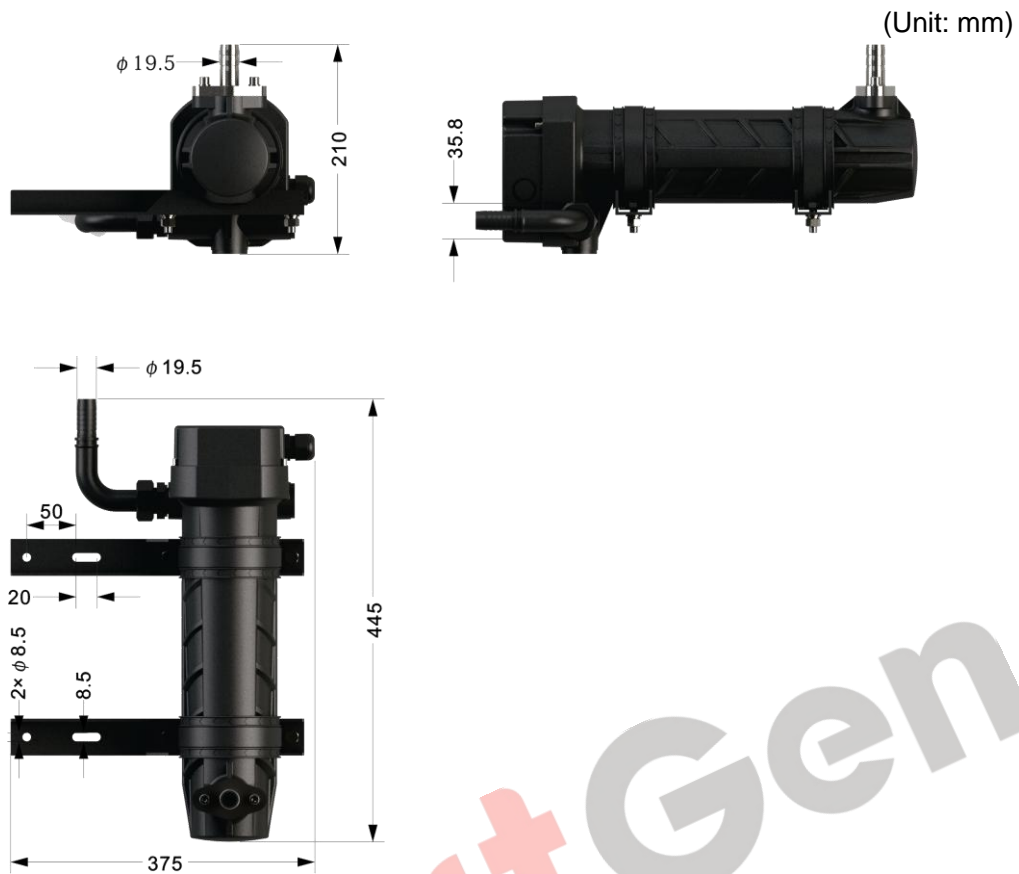


Figure 7 – Overall Dimensions

## 10 PACKING LIST

Table 3 – Packing List

No.	Name & Model	Quantity
1	Heater	1
2	Holder(left)	1
3	Holder(right)	1
4	U-shape steel belt	2
5	Rubber ring	2
6	Flat gasket GB/T 95 8	8
7	Spring washer GB/T 93 8	8
8	Hexagon nut GB/T 41 M8	8
9	Hexagon bolt GB/T 5783 M8x25	8
10	rotary joint (Inlet)	1
11	Pagoda joint (Outlet)	1
12	Water-proofing cable joint	1
13	Certification	1
14	User manual	1